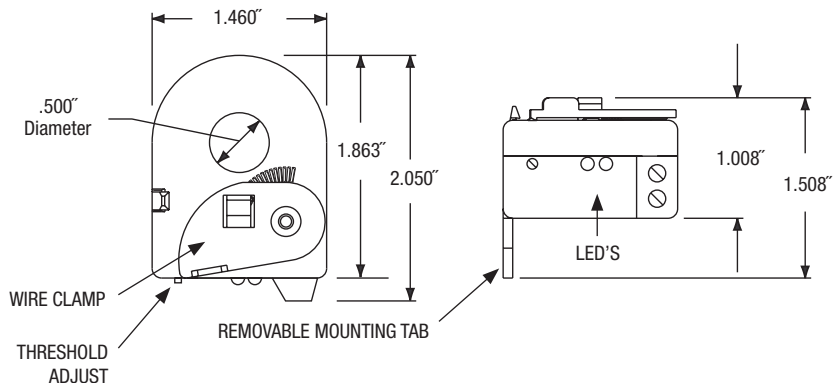


RIBXK SERIES | Enclosed Solid Core Current Sensors

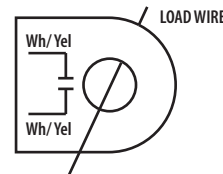
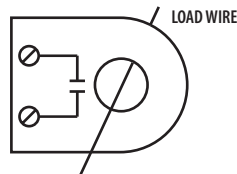


SPECIFICATIONS

Operating Temperature: -30 to 140° F
Max Sense Voltage: 600 Vac
Approvals: UL Listed, UL916, UL864, C-UL, CE
Housing Rating: Plenum, NEMA 1
Mounting/Installation: Removable mounting tab provided.
 The wire clamp locks against the load wire, securing the unit in place.

SENSOR OUTPUT
Solid State Contact
30 Vac/dc, .4 Amp Max.

When current sensor status is off (open),
leakage <30 uA @ 30Vac/dc
When current sensor status is on (closed),
voltage drop < .3 Vac/dc @ .1 Amp
< 1.6 Vac/dc @ .4 Amp



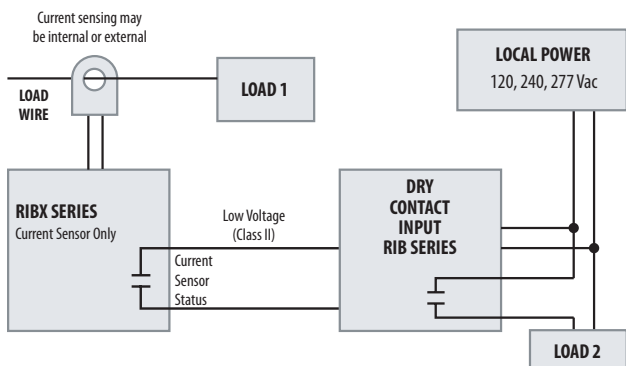
RIBXK SERIES SELECTION GUIDE

MODEL #	RANGE	TYPE	THRESHOLD	OUTPUT	LED 1	LED 2
RIBXKF	.25-150 Amp	Solid Core	Fixed	Solid State Switch SPST ; 30 Vac/dc ; .4 Amps Max (Wht/Yel 16" 18 AWG Wire Leads)		
RIBXKTF	.25-150 Amp	Solid Core	Fixed	Solid State Switch SPST ; 30 Vac/dc ; .4 Amps Max (Terminal Strip, Accepts #14-22 AWG Wire)		
RIBXKA	.50-150 Amp	Solid Core	Adjustable	Solid State Switch SPST ; 30 Vac/dc ; .4 Amps Max (Wht/Yel 16" 18 AWG Wire Leads)	Over Trip Point	Under Trip Point
RIBXKTA	.50-150 Amp	Solid Core	Adjustable	Solid State Switch SPST ; 30 Vac/dc ; .4 Amps Max (Terminal Strip, Accepts #14-22 AWG Wire)	Over Trip Point	Under Trip Point

NOTES

INTERLOCKING LOADS (NO TRANSFORMER)

Self-powered Current Sensors of the RIBX Series and relays of the Dry Contact Input RIB Series may be applied to interlock Load 2 to Load 1.



DRY CONTACT INPUT RELAYS

RIB21CDC
RIB01BDC
RIB01SBDC
RIB02BDC
RIB02SBDC
RIBM01ZND
RIBM02ZND
RIBM013PND

CURRENT SENSORS

RIBXKF RIBXRF
RIBXKTF RIBXRA
RIBXKA RIBXJF
RIBXKTA RIBXJA
RIBXGA RIBMXF
RIBXGF RIBMXA
RIBXGTA RIBMXRF
RIBXGTF RIBMXRA
RIBXGFL RIBMXJF
RIBXGTF RIBMXJA
RIBXF
RIBXA