

Space Humidistat DBZH-101

Page 1 of 1

Description

Relative space humidity control in air conditioning systems with set point adjustment by knob and control of 1stage humidifiers and dehumidifiers. Well-suited in domestic, commercial and industrial areas for the large variety of applications in the air conditioning field.

Features

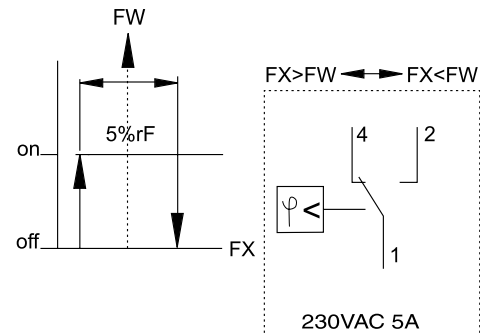
- Exposed or Concealed Setpoint adjustment
- Suitable for swimming pool applications



Technical Specification

Sensitive elem.:	several synthetic fabric bands.
Contacts:	SPDT contacts
Switch capacity:	Humidify: 2 A, 250 Vac Dehumidify: 5 A, 230 Vac
Differentials:	4%
Working temp.:	0...+60 °C
Storage:	-20...+70 °C
Temp. coeff.:	-0.2% r.h./K at 20 °C
Max air velocity:	15 m/s
Housing:	ABS
Weight:	0.12 kg
Size:	115 x 70 x 35 mm
Protection:	IP20

Wiring



The contacts 1 - 2 close and 1 - 4 open when the relative air humidity drops below the set point (see figure).

Order Codes

DBZH-101	Space Humidistat
DBZH-101U	Space Humidistat, concealed setpoint

Installation

Select a location in the duct where dust & contaminants are at a minimum (i.e. after filters etc.) and which will give a representative sample of the prevailing air condition.

Undo the tamper proof screw at the bottom of the housing and gently pull the front panel from the base.

Using the base as a template mark the hole centres and fix to the wall with suitable screws.

Feed cable through the knockout in the base of the housing and terminate the cores at the terminal block.

Replace the housing to the base plate, and fit the tamper proof screw at the bottom of the base plate.

Warning

The hygrometers must not come into direct contact with water and should be exposed to the air flow.

Not suitable in aggressive media.

Dimensions

