

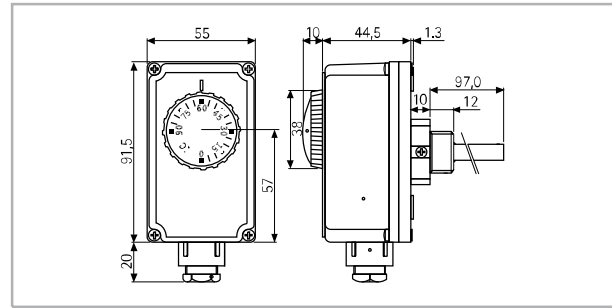
# THERMOREGULATORS - INDICATORS

## TC2



Immersion thermostat, measuring temperature thanks to liquid filled sensing element. SPDT contacts, complete with water proof protection pocket. The thermostat, usually used to measure temperature on the primary heating pipe circuit is particularly suitable for automatic adjustment of boilers, pumps and other various applications. It's available also in capillary version. Approvals: ENEC, DIN, ISPESL, conformity to PED standards.

### IMMERSION ADJUSTABLE THERMOSTAT



*Contacts rating* = 10(2,5)A/250V~  
*Contacts* = switching or closing contact for temperature increasing  
*Max. head temperature* = 80°C  
*Max. bulb temperature* = 125°C  
*Temperature rate of change* = 1°K/min  
*Protection degree* = IP40  
*Cover colour* = orange

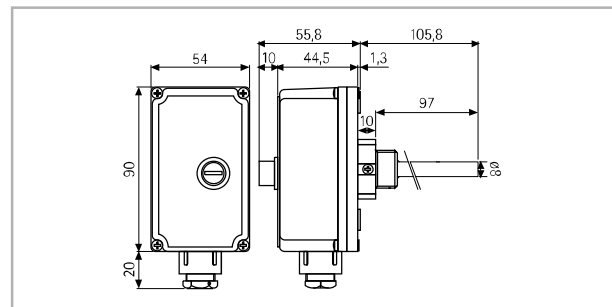
ITEM CODE	TEMPERATURE RANGE	DIFFERENTIAL	MAX. BULB TEMPERATURE	CAPILLARY LENGTH	PROTECTION POCKET 1/2" NPT	COPPER BULB	METAL BASE	PACKAGE N.
542470	0°/90°C	$\Delta t = 4 \pm 1K.$	130°C		7X8X100 mm			20
542425	0°/90°C	$\Delta t = 4 \pm 1K.$	130°C		7X8X200 mm			20
542441	40°/210°C	$\Delta t = 9 \pm 2K$	250°C		7X8X100 mm		46x72 mm	20
542440	40°/210°C	$\Delta t = 9 \pm 2K$	250°C		7X8X200 mm		46x72 mm	20
542562	0°/90°C	$\Delta t = 4 \pm 1K.$	130°C	1000 mm		$\varnothing 6,5 \times 95$ mm		20

## LSC1



Immersion thermostat, measuring temperature thanks to liquid filled sensing element. Single pole contacts, safety limiter with manual or automatic reset and fail-safe protection safety in the event of capillary breakage complete with water proof protection pocket. The thermostat, usually used to measure temperature on the primary heating pipe circuit is particularly suitable for heating plants and for all the applications when a maximum temperature is not to be exceeded. Approvals: ENEC, DIN, ISPESL, conformity to PED standards.

### IMMERSION SAFETY LIMITER THERMOSTAT



*Contacts rating* = 10(2,5)A/250V~  
*Contacts* = closing contact for temperature increasing  
*Temperature rate of change* = 1°K/min  
*Max. head temperature* = 80°C  
*Max. bulb temperature* = 125°C  
*Protection degree* = IP 40  
*Fairlead* = M 20 x 1,5  
*Cover colour* = orange

ITEM CODE	LIMITER TEMPERATURE		TOLERANCE	PROTECTION POCKET 1/2" NPT	PERFORATED POCKET	DIFFERENTIAL	RESET	PACKAGE N.
	ADJUSTABLE	FIXED						
543010	90°/110°C		+0/-6K	8X7X120 mm		Temp. Int. -15K	manual	20
543031		100°C	+0/-6K	8X7X100 mm		Temp. Int. -15K	manual	20
543151	90°/110°C		+0/-6K		$\varnothing 16 \times 280$ mm	Temp. Int. -15K	manual	20